



FABGEAR 系列

全系列單段背隙 ≤ 8 弧分 Single Stage Backlash ≤ 8 arc/min

全系列雙段背隙 ≤ 12 弧分 Double Stage Backlash ≤ 12 arc/min

Indication of Model Numbers

機種型號表示

FB	90	10	MOTOR
機型 TYPE FB FE	型號 MODEL 50 70 90 120 145	速比 RATIO 單段 SINGLE STAGE 3, 4, 5, 7, 10 雙段 DOUBLE STAGE 15, 20, 25, 30, 35, 40, 50, 70, 100	馬達型號 MOTOR NO.



Integrated Planetary Arm Bracket



Full Needle Bearings Design

The planetary gear transmission employs full needle bearings without retainer to increase the contact surface, which greatly upgrades structural rigidity and output torque.



High Precision Gear Machining

The planetary gear and sun gear are manufactured from high quality Cr-Mo alloy steel (SNCM220), precision machined and carbunzed to hardness 57-60 HRC. Precision teeth grinding assures gear accuracy reaches DIN6 class. It provides better wear resistance, impact resistance and longer service life than gears with only surface nitrided.



One-piece Gear box BOdy & Advanced Surface Treatment

The gear box and internal ring are one-piece constructed, which is manufactured from Cr-Mo alloy steel (SCM435), and tempered for high torque output. High gear accuracy meets DIN6 class standard. Gear surface is anti-corrosive treated for upgrading environmental-resistant and corrosion-resistant capability.



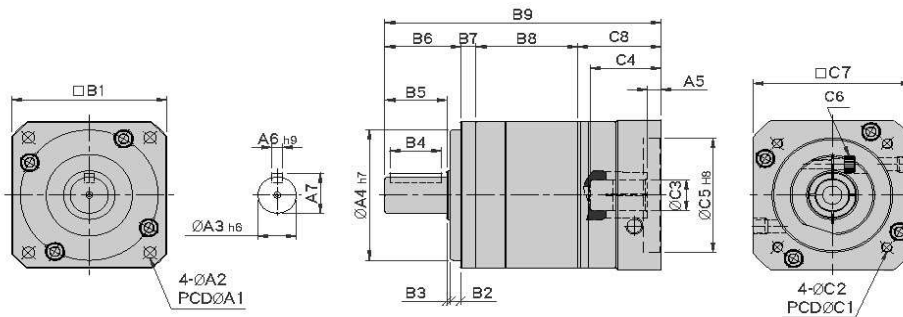
FB

FABGEAR Planetary Reducers



MODEL : FB

單段 Single Reduction
速比 RATIO : 3.4.5.7.10



單位 unit:mm

Model Code	50	70	90	120	145
A					
A1	Ø50	Ø70	Ø100	Ø130	Ø165
A2	Ø4.5	Ø6	Ø6.8	Ø9	Ø11
A3	Ø13	Ø16	Ø22	Ø32	Ø40
A4	Ø35	Ø50	Ø80	Ø110	Ø130
A5	5	6	8, 22	10, 20	10
A6	5	5	6	10	12
A7	15	18	24.5	35	45
B					
B1	50	70	90	120	145
B2	4	5	6	8	10
B3	1	1	2	2	3
B4	15	20	30	40	65
B5	20	28	36	50	74
B6	25	34	44	60	87
B7	6	8	9	12	15
B8	37.5	49.5	59	86	95
B9	100.5	132.5	160.5, 175	227.5, 237.5	291
C					
C1	46, 60, 63, 90	70, 75, 90	90, 100, 115, 165	145, 165	145, 200, 215
C2	M4 x P0.7 M5 x P0.8	M4 x P0.7 M5 x P0.8 M6 x P1.0	M6 x P1.0 M8 x P1.25 M10 x P1.5	M6 x P1.0 M8 x P1.25 M10 x P1.5	M8 x P1.25 M10 x P1.5 M12 x P1.75
C3	5, 6.5, 6, 8	6.35, 8, 10, 11, 12, 14	14, 16, 19	19, 22, 24, 28, 32	22, 24, 28, 32, 35
C4	26	33.5, 41.5	59, 73.5	67, 77	84.5
C5	30, 40, 50, 70	50, 60, 70	70, 80, 110, 130	110, 130	110, 114, 3, 180
C6	M3 x P0.5	M4 x P0.7 M5 x P0.8	M6 x P1.0	M8 x P1.25	M10 x P1.5
C7	46, 55, 60, 76	64, 70, 80	92, 110, 130, 142	130, 150	146, 180, 190
C8	32	41	48.5, 63	69.5, 79.5	94

FB

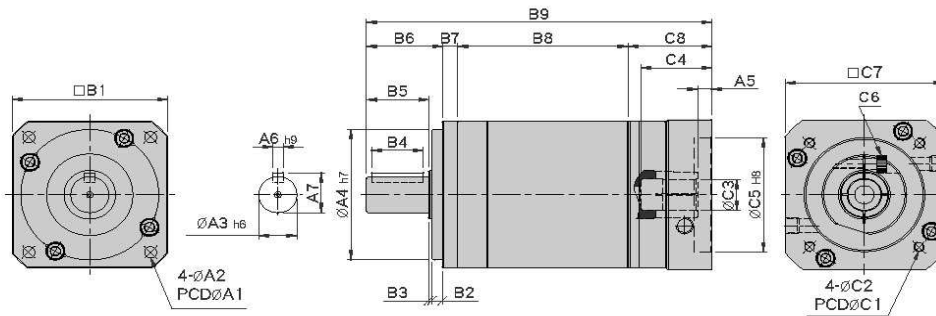
FABGEAR Planetary Reducers



MODEL : FB

雙段 Double Reduction

速比 RATIO : 15.20.25.30.35.40.50.70.100



單位 unit:mm

Model Code	50	70	90	120	145	
A	A1	$\varnothing 50$	$\varnothing 70$	$\varnothing 100$	$\varnothing 130$	$\varnothing 165$
	A2	$\varnothing 4.5$	$\varnothing 6$	$\varnothing 6.8$	$\varnothing 9$	$\varnothing 11$
	A3	$\varnothing 13$	$\varnothing 16$	$\varnothing 22$	$\varnothing 32$	$\varnothing 40$
	A4	$\varnothing 35$	$\varnothing 50$	$\varnothing 80$	$\varnothing 110$	$\varnothing 130$
	A5	5	6	8, 22	10, 20	10
	A6	5	5	6	10	12
	A7	15	18	24.5	35	45
B	B1	50	70	90	120	145
	B2	4	5	6	8	10
	B3	1	1	2	2	3
	B4	15	20	30	40	65
	B5	20	28	36	50	74
	B6	25	34	44	60	87
	B7	6	8	9	12	15
	B8	63.7	83.5	98.7	140	158.7
	B9	126.7	166.5	200.2, 214.7	281.5, 291.5	354.7
C	C1	46, 60, 63, 90	70, 75, 90	90, 100, 115, 165	145, 165	145, 200, 215
	C2	M4 x P0.7 M5 x P0.8	M4 x P0.7 M5 x P0.8 M6 x P1.0	M6 x P1.0 M8 x P1.25 M10 x P1.5	M6 x P1.0 M8 x P1.25 M10 x P1.5	M8 x P1.25 M10 x P1.5 M12 x P1.75
	C3	5.65, 6, 8	6.35, 8, 10, 11, 12, 14	14, 16, 19	19, 22, 24, 28, 32	22, 24, 28, 32, 35
	C4	26	33.5, 41.5	59, 73.5	67, 77	84.5
	C5	30, 40, 50, 70	50, 60, 70	70, 80, 110, 130	110, 130	110, 114.3, 180
	C6	M3 x P0.5	M4 x P0.7 M5 x P0.8	M6 x P1.0	M8 x P1.25	M10 x P1.5
	C7	46, 55, 60, 76	64, 70, 80	92, 110, 130, 142	130, 150	146, 180, 190
	C8	32	41	48.5, 63	69.5, 79.5	94

FE

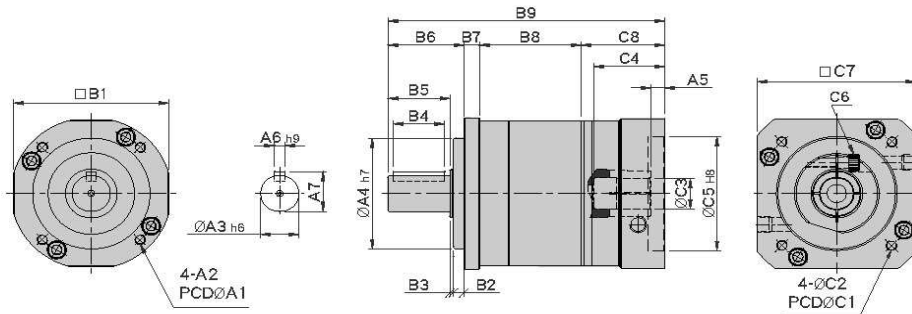
FABGEAR Planetary Reducers



MODEL : FE

單段 Single Reduction

速比 RATIO : 3.4.5.7.10



單位 unit:mm

Model Code	50	70	90	120	145	
A	A1	Ø42	Ø60	Ø80	Ø105	Ø130
	A2	M4 x P0.7	M5 x P0.8	M6 x P1.0	M8 x P1.25	M10 x P1.5
	A3	Ø13	Ø16	Ø22	Ø32	Ø40
	A4	Ø35	Ø50	Ø68	Ø90	Ø110
	A5	5	6	8, 22	10, 20	10
	A6	5	5	6	10	12
	A7	15	18	24.5	35	45
B	B1	50	70	90	120	145
	B2	4	5	6	8	10
	B3	1	1	2	2	3
	B4	15	20	30	40	65
	B5	20	28	36	50	74
	B6	25	34	44	60	87
	B7	6	8	9	12	15
	B8	37.5	49.5	59	86	95
	B9	100.5	132.5	160.5, 175	227.5, 237.5	291
C	C1	46, 60, 63, 90	70, 75, 90	90, 100, 115, 165	145, 165	145, 200, 215
	C2	M4 x P0.7 M5 x P0.8	M4 x P0.7 M5 x P0.8 M6 x P1.0	M6 x P1.0 M8 x P1.25 M10 x P1.5	M6 x P1.0 M8 x P1.25 M10 x P1.5	M8 x P1.25 M10 x P1.5 M12 x P1.75
	C3	5.65, 6, 8	6.35, 8, 10, 11, 12, 14	14, 16, 19	19, 22, 24, 28, 32	22, 24, 28, 32, 35
	C4	26	33.5, 41.5	59, 73.5	67, 77	84.5
	C5	30, 40, 50, 70	50, 60, 70	70, 80, 110, 130	110, 130	110, 114.3, 180
	C6	M3 x P0.5	M4 x P0.7 M5 x P0.8	M6 x P1.0	M8 x P1.25	M10 x P1.5
	C7	46, 55, 60, 76	64, 70, 80	92, 110, 130, 142	130, 150	146, 180, 190
	C8	32	41	48.5, 63	69.5, 79.5	94

FE

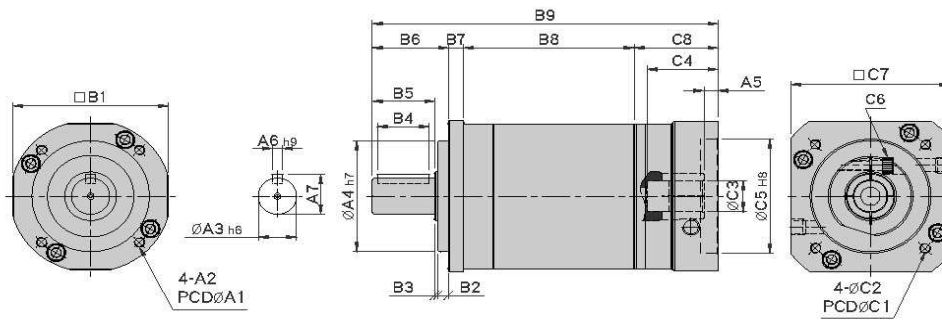
FABGEAR Planetary Reducers



MODEL : FE

雙段 Double Reduction

速比 RATIO : 15.20.25.30.35.40.50.70.100



單位 unit:mm

Model Code	50	70	90	120	145
A A1	Ø42	Ø60	Ø80	Ø105	Ø130
A2	M4 x P0.7	M5 x P0.8	M6 x P1.0	M8 x P1.25	M10 x P1.5
A3	Ø13	Ø16	Ø22	Ø32	Ø40
A4	Ø35	Ø50	Ø68	Ø90	Ø110
A5	5	6	8, 22	10, 20	10
A6	5	5	6	10	12
A7	15	18	24.5	35	45
B B1	50	70	90	120	145
B2	4	5	6	8	10
B3	1	1	2	2	3
B4	15	20	30	40	65
B5	20	28	36	50	74
B6	25	34	44	60	87
B7	6	8	9	12	15
B8	63.7	83.5	98.7	140	158.7
B9	126.7	166.5	200.2, 214.7	281.5, 291.5	354.7
C C1	46, 60, 63, 90	70, 75, 90	90, 100, 115, 165	145, 165	145, 200, 215
C2	M4 x P0.7 M5 x P0.8	M4 x P0.7 M5 x P0.8 M6 x P1.0	M6 x P1.0 M8 x P1.25 M10 x P1.5	M6 x P1.0 M8 x P1.25 M10 x P1.5	M8 x P1.25 M10 x P1.5 M12 x P1.75
C3	5, 6.5, 6, 8	6, 3.5, 8, 10, 11, 12, 14	14, 16, 19	19, 22, 24, 28, 32	22, 24, 28, 32, 35
C4	26	33.5, 41.5	59, 73.5	67, 77	84.5
C5	30, 40, 50, 70	50, 60, 70	70, 80, 110, 130	110, 130	110, 114.3, 180
C6	M3 x P0.5	M4 x P0.7 M5 x P0.8	M6 x P1.0	M8 x P1.25	M10 x P1.5
C7	46, 55, 60, 76	64, 70, 80	92, 110, 130, 142	130, 150	146, 180, 190
C8	32	41	48.5, 63	69.5, 79.5	94